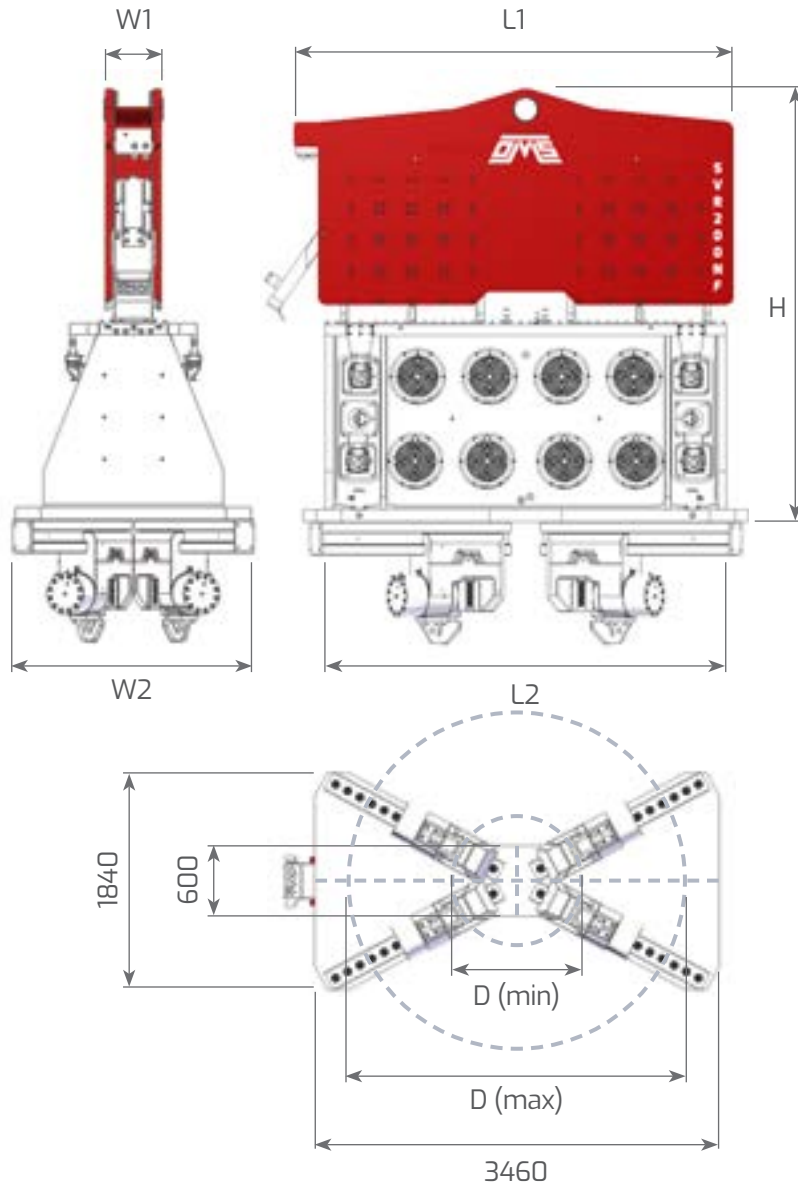


# SVR 200 NF / Technical Specifications

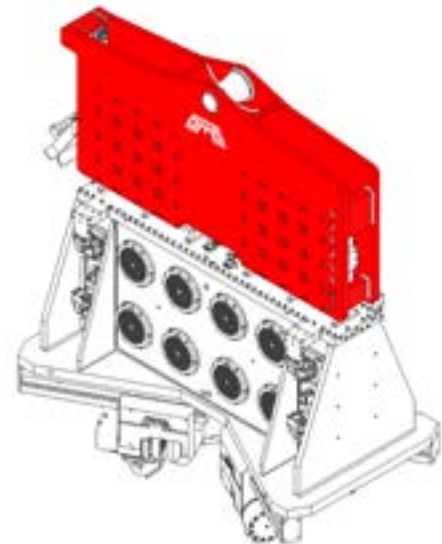


## Technical Specifications

Eccentric Moment (kgm)	203.2
Centrifugal Force (kN) Max.	4380
Frequency (rpm)	1400
Oil Flow (l/min)	1792
Power (kW)	1045
Amplitude (mm)	19
Pulling Force (kN)	1412

## Weight and Dimensions

Dynamic Weight W/O Clamp (kg)	21700
Total Weight W/O Clamp (kg)	26100
Length / L1 (mm)	3350
Length / L2 (mm)	3660
Height / H (mm)	3620
Width / W1 (mm)	493
Width / W2 (mm)	2070



## Recommended Clamp Type for Sheet Piles

Clamping Force (kN)	-
Weight (kg)	-

## Recommended Clamp Type for Casing

	KCN 165 x 4
Diameter (min. - max.) / D	1000 - 3000
Clamping Force (kN)	1700 x 4
Weight (kg)	1172 x 4

## Recommended Power Pack PP - 1536

Stage	Model	Power (kW/hp)	Oil Flow Max. (lpm)	Pressure Max. (bar)	Oil Capacity (liter)	Diesel Tank Capacity (liter)	Width (mm)	Length (mm)	Height (mm)	Weight (kg)
Tier 2	Volvo 2xTAD1643VE	1130/1536	1860	350	2000	1100	2430	5000	2545	13500



www.omsvibro.de

### OMS Pile Driving Equipment GmbH.

Kleinewefersstraße 1, 47803, Krefeld - Deutschland

+49 2151 442 61 61 +49 2151 442 61 60

oms@omsvibro.de

youtube.com/user/ozkanlarmakina

pinterest.com/omsvibro

instagram.com/omsvibro

linkedin.com/company/omsvibro/

facebook.com/omsvibro

twitter.com/omsvibro